

# Proximity Sensors Capacitive Flat pack Polycarbonate Housing Type EC 5525

**TRIPLESIELD™**

**CARLO GAVAZZI**



- Featuring **TRIPLESIELD™** Sensor Protection
- Adjustable sensing distance 2-25 mm
- Rated operational voltage: 10 to 40 VDC
- Output: DC 200 mA, NPN or PNP
- Make and break switching function, LED indication
- Capacitive, Inductive and Photoelectric flat pack series in PC housing, IP 67
- Cable and plug versions
- Can be flush or non-flush mounted

## Product Description

Capacitive proximity switch with sensing distance 16 mm flush mounted in metal or 25 mm non-flush mounted. 4-wire with both make (NO) and break (NC) switching. Flat

pack housing size (W x H x D) 35 x 55 x 15 mm made in polycarbonate. Easy mounting with only two M 3.5 screws. Ideal for use in material handling applications.

## Ordering Key

**EC 55 25 NPA P-1**

Type \_\_\_\_\_  
 Housing \_\_\_\_\_  
 Range \_\_\_\_\_  
 Output type \_\_\_\_\_  
 Housing material \_\_\_\_\_  
 Connection type \_\_\_\_\_

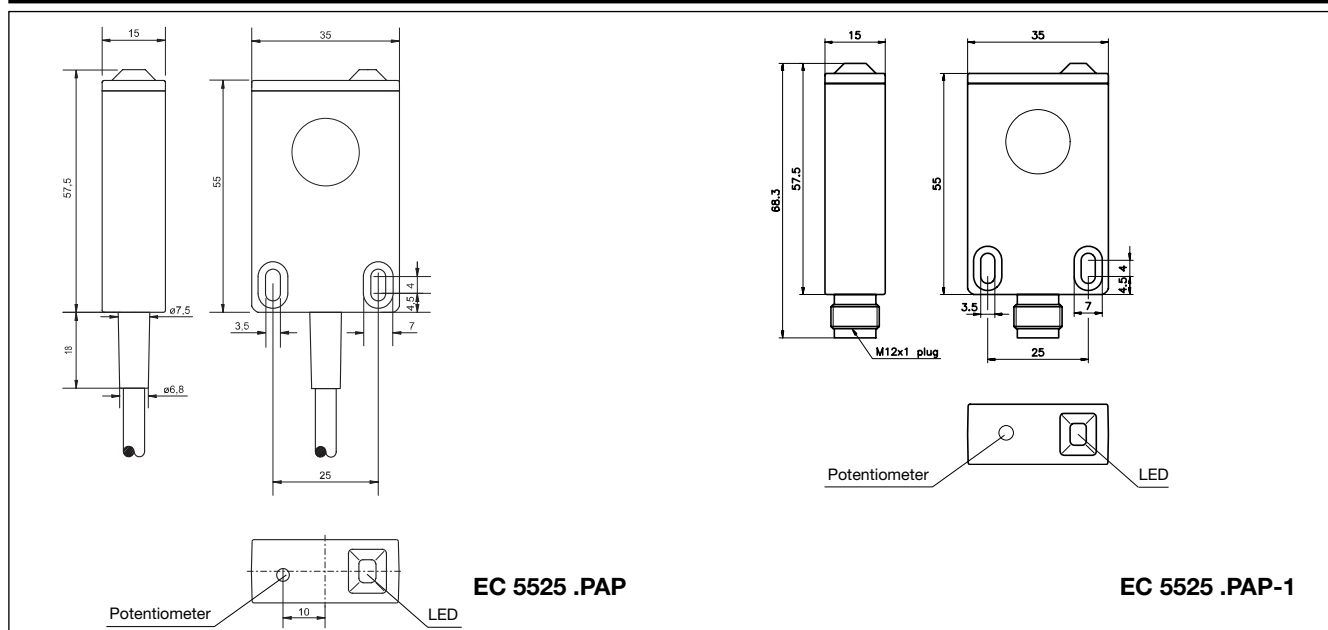
## Type Selection

Housing dimensions W x H x D	Rated operating dist. (S <sub>n</sub> )	Ordering no. NPN/cable Make & break swit.	Ordering no. NPN/plug Make & break swit.	Ordering no. PNP/cable Make & break swit.	Ordering no. PNP/plug Make & break swit.
35 x 55 x 15	25 mm	EC 5525 NPAP	EC 5525 NPAP-1	EC 5525 PPAP	EC 5525 PPAP-1

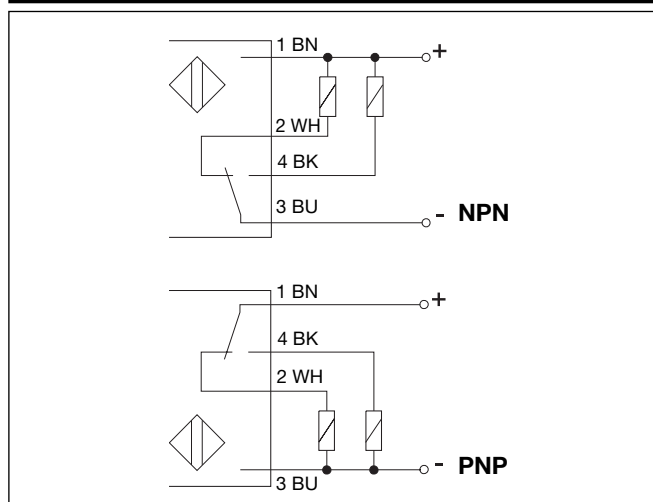
## Specifications

<b>Rated operational volt.</b> (U <sub>a</sub> )	12 to 36 VDC	<b>Environment</b>	Degree of protection	IP 67 (Nema 1, 3, 4, 6, 13)
(U <sub>b</sub> )	10 to 40 VDC (ripple included)		Operating temperature	-25° to +70°C (-13° to +158°F)
<b>Ripple</b>	≤ 10%	Storage temperature	-30° to +80°C (-22° to +176°F)	
<b>Rated operational current</b> (I <sub>o</sub> )	≤ 200 mA	<b>Housing material</b>	Polycarbonate, grey	
Continuous		<b>Cable</b>	2 m, 4 x 0.3 mm <sup>2</sup> grey PUR, oil proof	
<b>No-load supply current</b> (I <sub>o</sub> )	≤ 15 mA	<b>Weight</b>	125 g cable version 40 g plug version	
<b>Voltage drop</b> (U <sub>d</sub> )	≤ 2 VDC at max. load	<b>EMC ratings</b>	Acc. to EN 50 082-2	
<b>Protection</b>	Reverse polarity, short-circuit	ENV 50 140 RF Electromagnetic field AM, 80-1000 MHz, Level 3	10 V/m	
<b>Power ON delay</b>	≤ 300 ms	ENV 50 204 RF Electromagnetic field PM, 80-900 MHz, Level 3	10 V/m	
<b>Frequency of operating cycles</b> (f)	100 Hz	EN 61000-4-2 ESD		
<b>Indication for output ON</b>	LED, yellow	Contact discharge, Level 4	8 kV	
<b>Assured operating dist.</b> (S <sub>a</sub> )	0 ≤ S <sub>a</sub> ≤ 0.81 S <sub>n</sub>	Air discharge, Level 4	17 kV	
<b>Repeat accuracy</b> (R)	≤ 5%	EN 61000-4-4 Fast transient		
<b>Hysteresis</b> (H)	4 to 20% of sensing distance	Rep. freq. 5 kHz, Level 3	1 kV	
(Differential travel)		IEC 60947-5-2 Surges common mode, Gen. Imp. 500E, Level 3	2.5 kV	
<b>Effective operating dist.</b> (S <sub>r</sub> )	0.9 x S <sub>n</sub> ≤ S <sub>r</sub> ≤ 1.1 x S <sub>n</sub>			
<b>Usable operating dist.</b> (S <sub>u</sub> )	0.8 x S <sub>r</sub> ≤ S <sub>u</sub> ≤ 1.2 x S <sub>r</sub>			

## Dimensions



## Wiring Diagrams



## Accessories

- Plugs CONH1A.. serie, please refer to "Accessories".

## Delivery Contents

- Capacitive switch: EC 5525 ....
- Screw driver
- **Packaging:** plastic bag